

The information in this document is subject to change without notice and should not be construed as a commitment by ABB. ABB assumes no responsibility for any errors that may appear in this document.

Except as may be expressly stated anywhere in this document, nothing herein shall be construed as any kind of guarantee or warranty by ABB for losses, damages to persons or property, fitness for a specific purpose or the like.

In no event shall ABB be liable for incidental or consequential damages arising from use of this document.

This document and parts thereof must not be reproduced or copied without ABB's written permission, and contents thereof must not be imparted to a third party nor be used for any unauthorized purpose. Contravention will be prosecuted.


Additional copies of this document may be obtained from ABB at its then current charge.

© Copyright 2015 ABB ALL right reserved.

ABB AB

SE-721 68 Västerås
Sweden

We reserve all rights in this document and in the information contained therein. Reproduction, use or disclosure to third parties without express authority is strictly forbidden. © Copyright 2003 ABB


<p>Latest revision: ECO 92573, WI 155563 Page 3 (1-2): Item number added for IRB6790. Page 4 (5-8): View over IRB6790 added. Drawing frame: Title was "IRB6700".</p>		 <p>Lab/Office: RMRO SE PRIM</p>	<p>IRB 6700/6790</p> <p>COPYRIGHT page</p>	<p>Status: 2017-08-24</p> <p>APPROVED</p> <p>Document no. 3HAC043446-005</p>	<p>Plant: = IRB6700 Location: + Manipulator Sublocation: +</p> <p>Rev. Ind 03</p> <p>Page 1 Next 2 Total 13</p>
<p>Prepared by, date: Erik Mesaros</p>	<p>Approved by, date: Jan-Erik Nahls</p>				

Valid For:

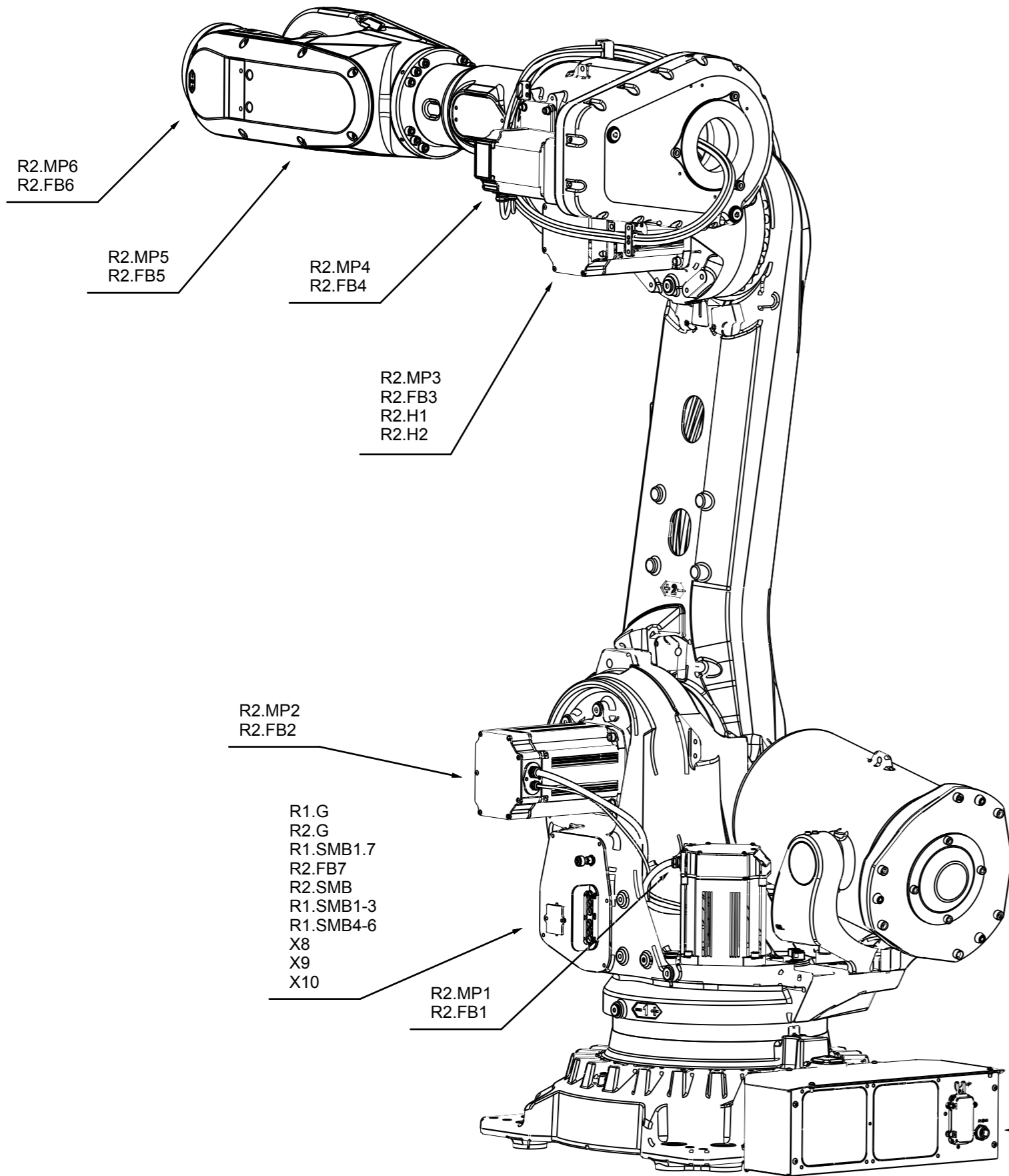
This circuit diagram is valid for the following cable harness assemblies:

- 3HAC042840-001: Manipulator harness axis 1-6 (IRB6700)
- 3HAC061214-001: Manipulator harness axis 1-6 (IRB6790)
- 3HAC046642-001: Brake release unit
- 3HAC043904-001: SMB unit
- 3HAC15619-2: Cable, FB7-SMB 1.7
- 3HAC044075-001: Battery unit
- 3HAC046287-001: Cable, battery-SMB
- 3HAC047052 -001 UL signal lamp

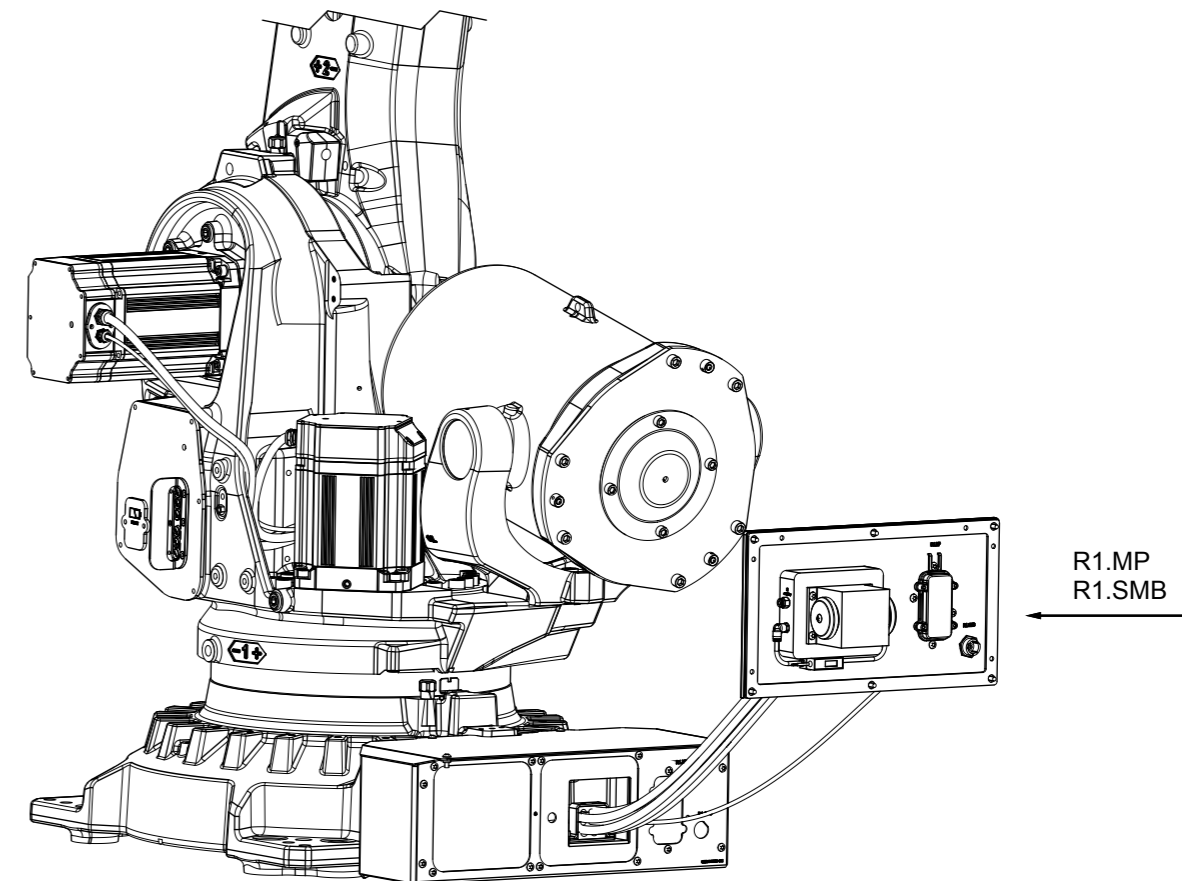
We reserve all rights in this document and in the information contained therein. Reproduction, use or disclosure to third parties without express authority is strictly forbidden. © Copyright 2003 ABB

Latest revision: ECO 92573, WI 155563 Page 3 (1-2): Item number added for IRB6790. Page 4 (5-8): View over IRB6790 added. Drawing frame: Title was "IRB6700".		Lab/Office: RMRO SE PRIM	IRB 6700/6790	Status: 2017-08-24 APPROVED	Plant: = IRB6700 Location: + Manipulator Sublocation: +
		Valid For	Document no. 3HAC043446-005	Rev. Ind 03	Page 3 Next 4 Total 13
Prepared by, date: Erik Mesaros	Approved by, date: Jan-Erik Nahls				

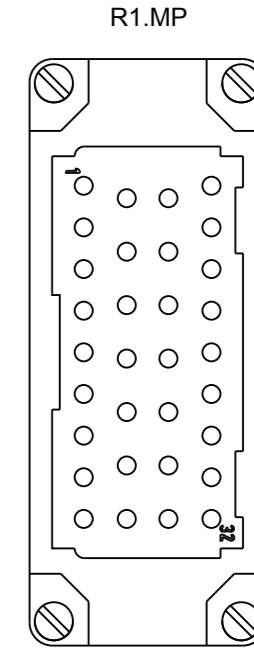
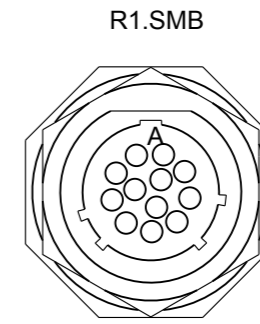
We reserve all rights in this document and in the information contained therein. Reproduction, use or disclosure to third parties without express authority is strictly forbidden. © Copyright 2003 ABB



IRB 6700



IRB 6790



Latest revision: ECO 92573, WI 155563
 Page 3 (1-2): Item number added for IRB6790.
 Page 4 (5-8): View over IRB6790 added.
 Drawing frame: Title was "IRB6700".

Prepared by, date: Erik Mesaros Approved by, date: Jan-Erik Nahls



Lab/Office:
 RMRO SE
 PRIM

IRB 6700/6790

Location of connection points


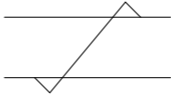
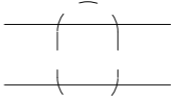
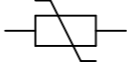
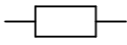
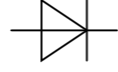
Status: 2017-08-24

APPROVED

Document no.
 3HAC043446-005

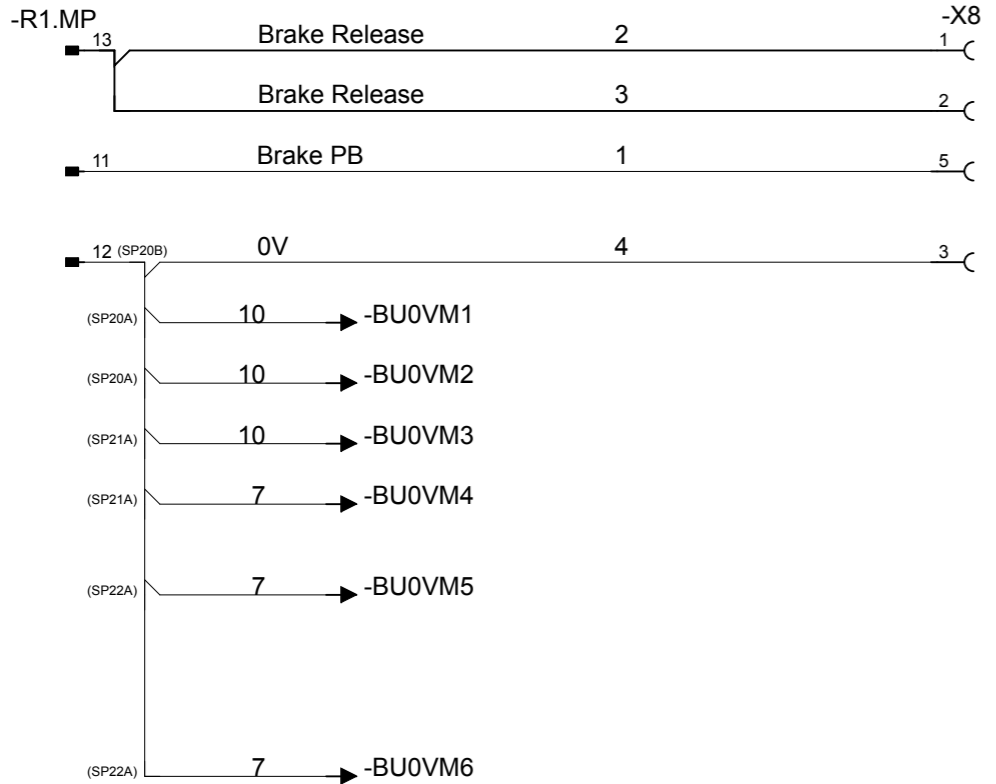
Plant: = IRB6700
 Location: + Manipulator
 Sublocation: +

Rev. Ind	Page 4
03	Next 5
	Total 13

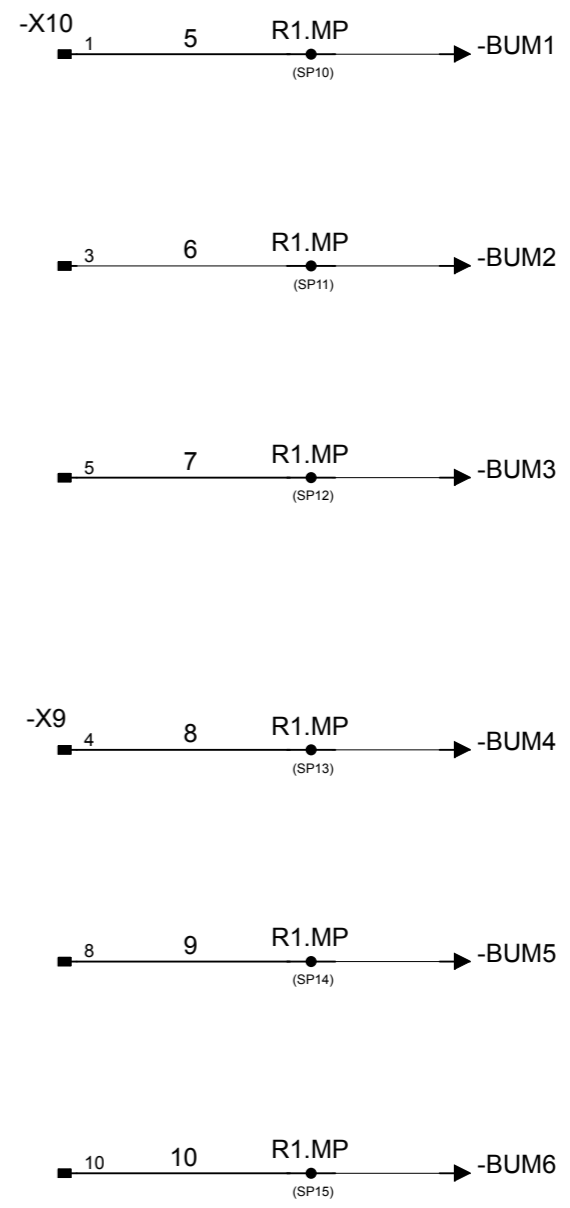
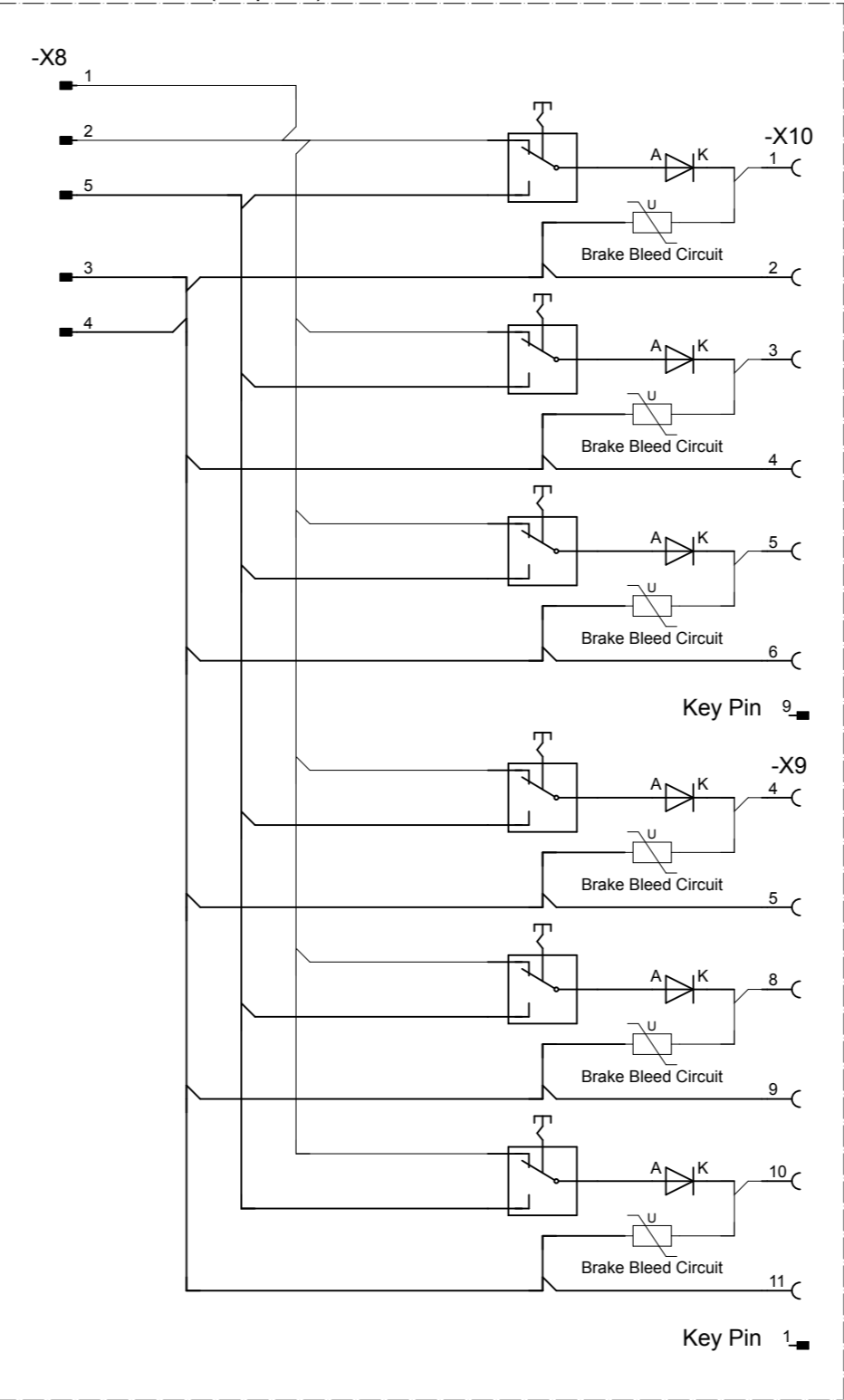
M	Motor		Protective Earth
B	Brake		
PTC	Temp sensor (PTC- resistor)		Twisted wires
R	Resolver		
G	Battery Pack		Screened wires
BU	Brake Release Unit		Varistor
FB	Feedback unit		Resistor
SMB	Serial Measurement Board		
FAN	Fan		Diode
SW	Position switch		
Keypin	Location pin to avoid mismatch		

We reserve all rights in this document and in the information contained therein. Reproduction, use or disclosure to third parties without express authority is strictly forbidden. © Copyright 2003 ABB

We reserve all rights in this document and in the information contained therein. Reproduction, use or disclosure to third parties without express authority is strictly forbidden. © Copyright 2003 ABB



-BU Brake Release (Simplified)



Latest revision: ECO 92573, WI 155563
 Page 3 (1-2): Item number added for IRB6790.
 Page 4 (5-8): View over IRB6790 added.
 Drawing frame: Title was "IRB6700".

Prepared by, date: Erik Mesaros | Approved by, date: Jan-Erik Nahls



Lab/Office:
RMRO SE
PRIM

IRB 6700/6790

Brake Release Unit

Status: 2017-08-24

APPROVED

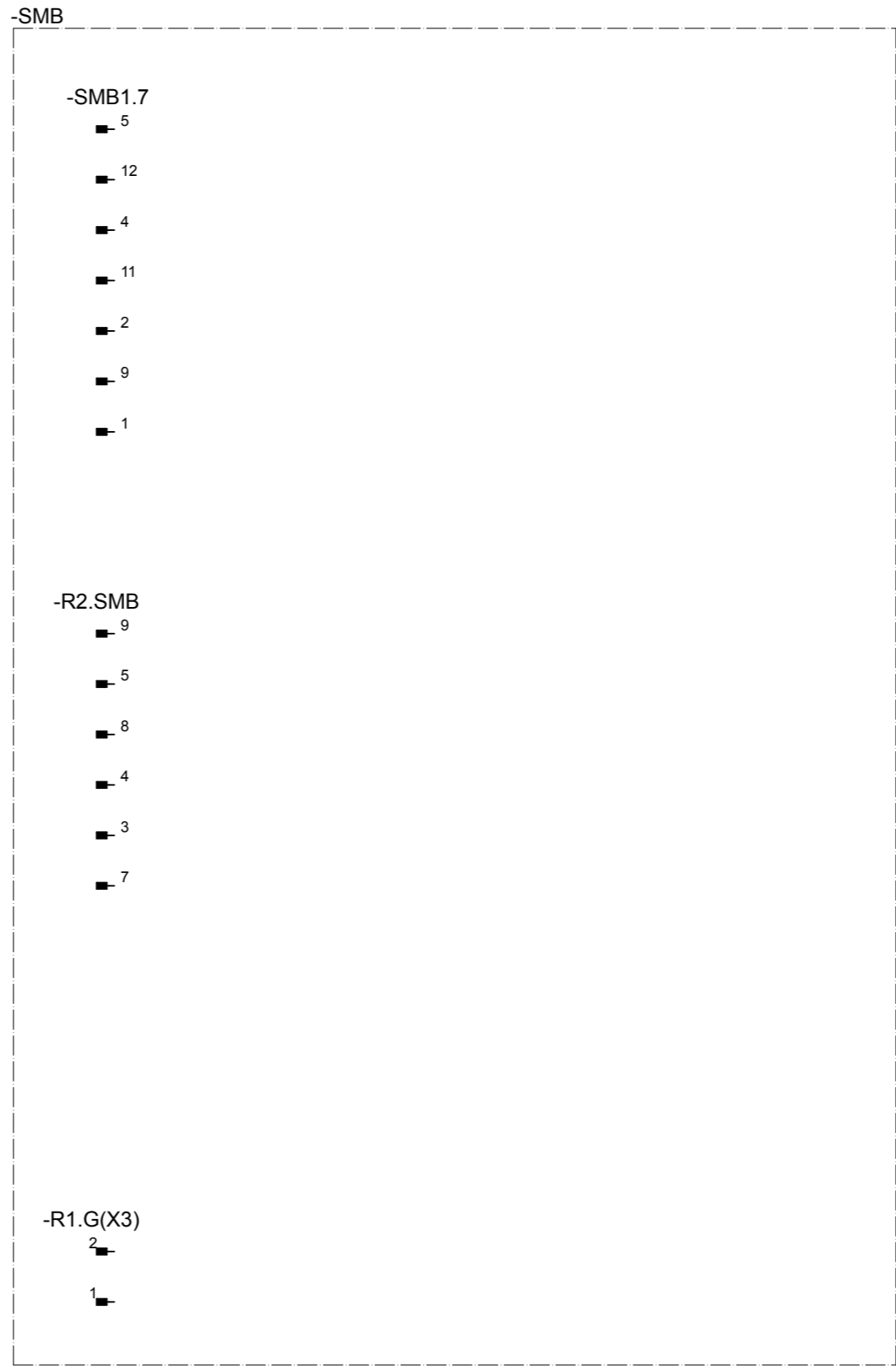
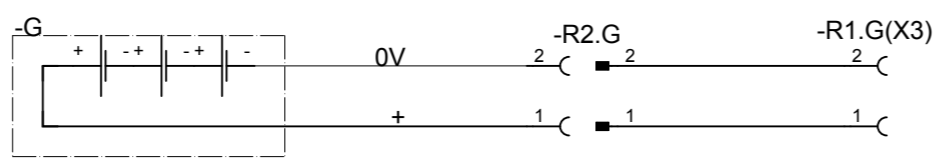
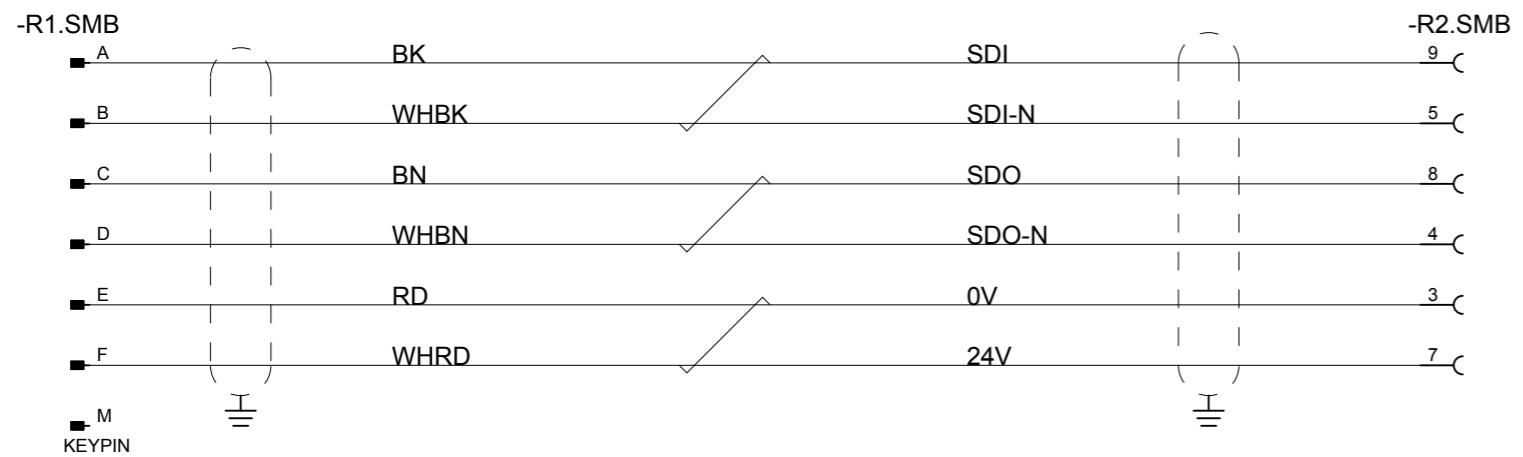
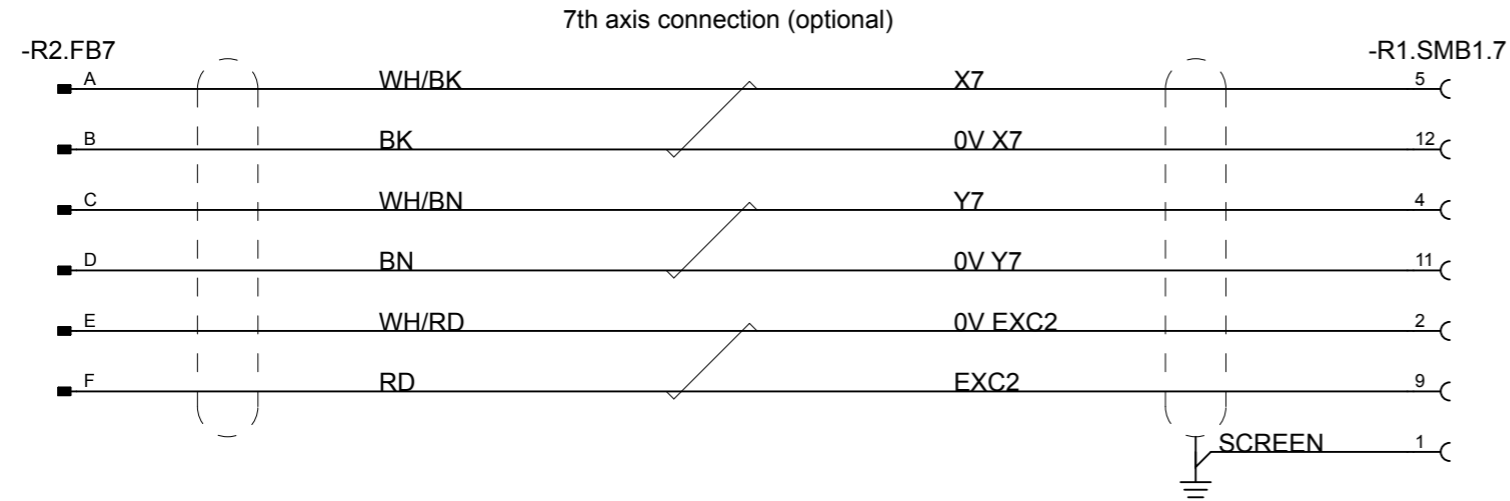
Document no.
3HAC043446-005

Plant: = IRB6700

Location: + BU

Sublocation: +

Rev. Ind	Page 10
03	Next +SMB/2
	Total 13



We reserve all rights in this document and in the information contained therein. Reproduction, use or disclosure to third parties without express authority is strictly forbidden. © Copyright 2003 ABB

Latest revision: ECO 92573, WI 155563
 Page 3 (1-2): Item number added for IRB6790.
 Page 4 (5-8): View over IRB6790 added.
 Drawing frame: Title was "IRB6700".

Prepared by, date: Erik Mesaros
 Approved by, date: Jan-Erik Nahls

ABB

Lab/Office:
 RMRO SE
 PRIM

IRB 6700/6790

SMB, incl optional 7th axis connection

Status: 2017-08-24

Plant: = IRB6700

Location: + SMB

Sublocation: +

Document no. 3HAC043446-005

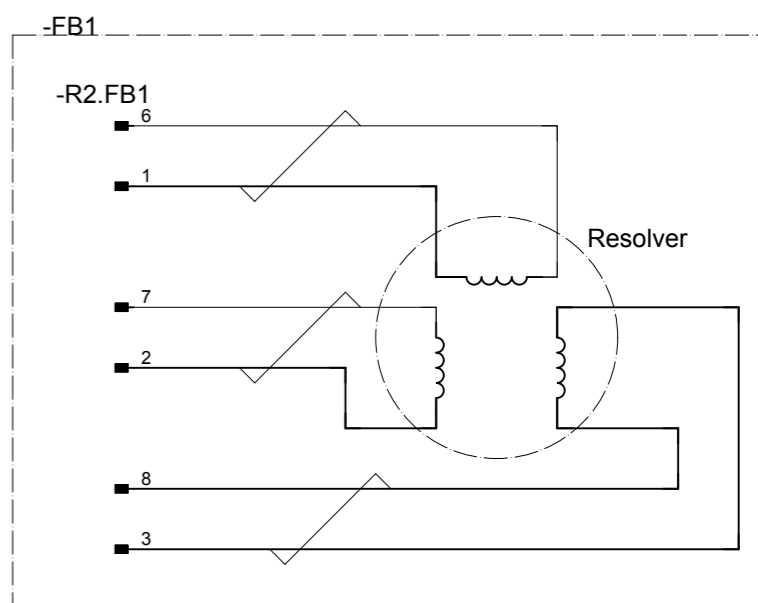
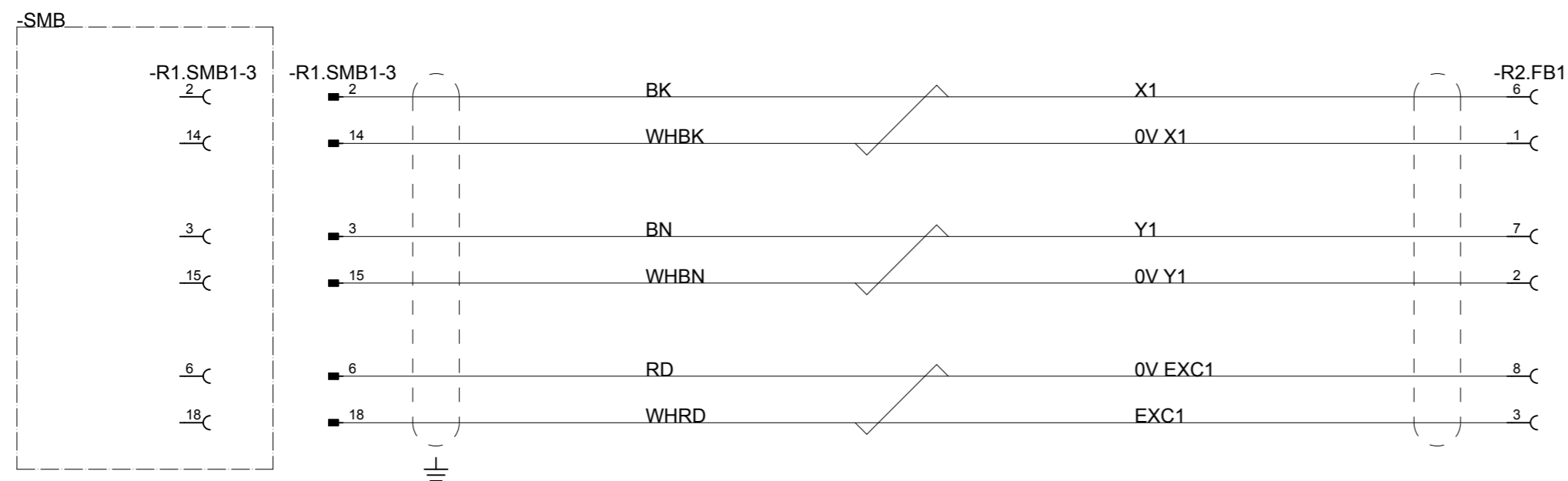
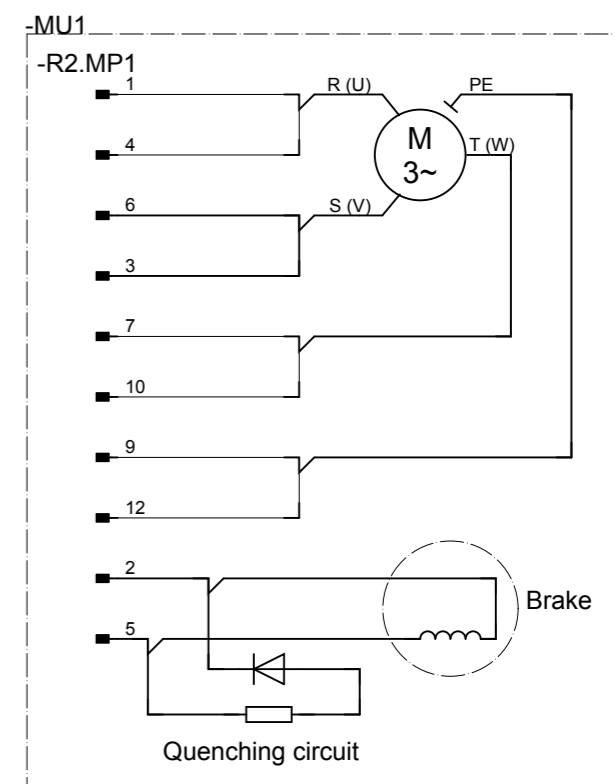
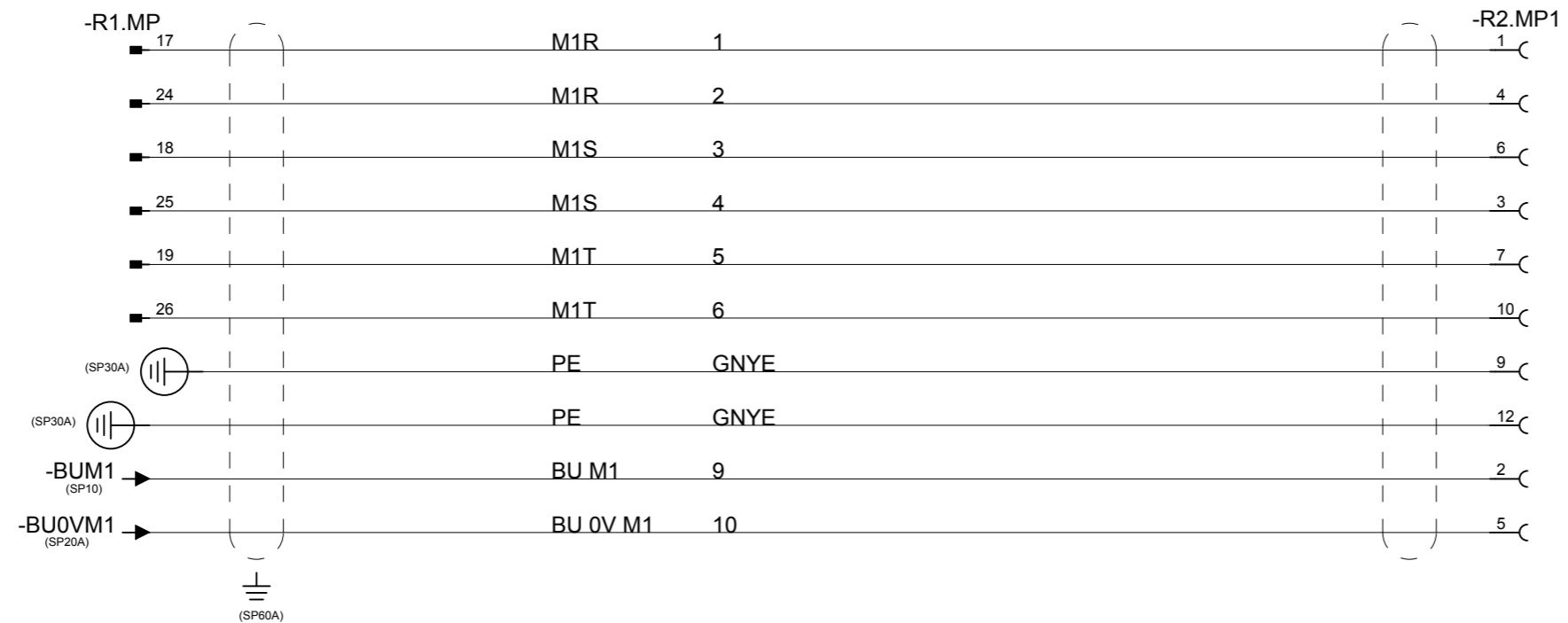
Rev. Ind 03

Page 20

Next +Axis1/3

Total 13

We reserve all rights in this document and in the information contained therein. Reproduction, use or disclosure to third parties without express authority is strictly forbidden. © Copyright 2003 ABB



Latest revision: ECO 92573, WI 155563
 Page 3 (1-2): Item number added for IRB6790.
 Page 4 (5-8): View over IRB6790 added.
 Drawing frame: Title was "IRB6700".

Prepared by, date: Erik Mesaros Approved by, date: Jan-Erik Nahls



Lab/Office:
RMRO SE
PRIM

IRB 6700/6790
Axis 1

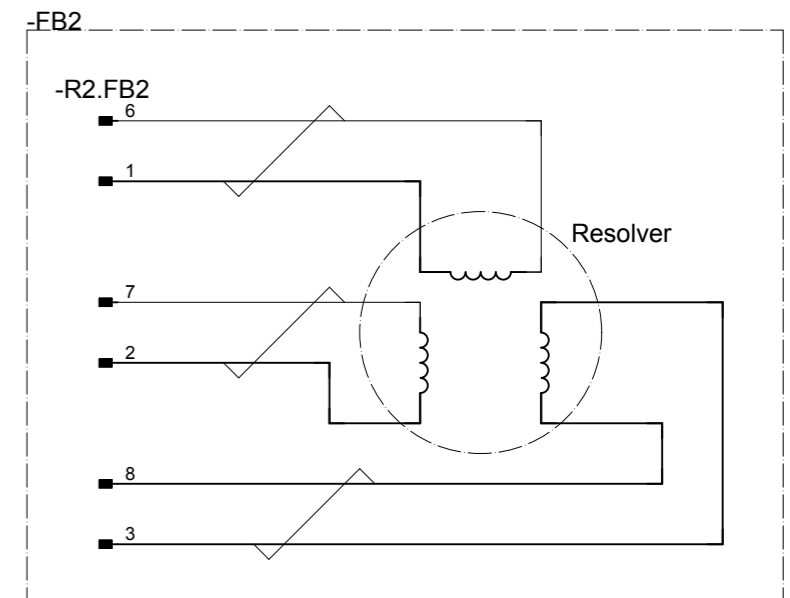
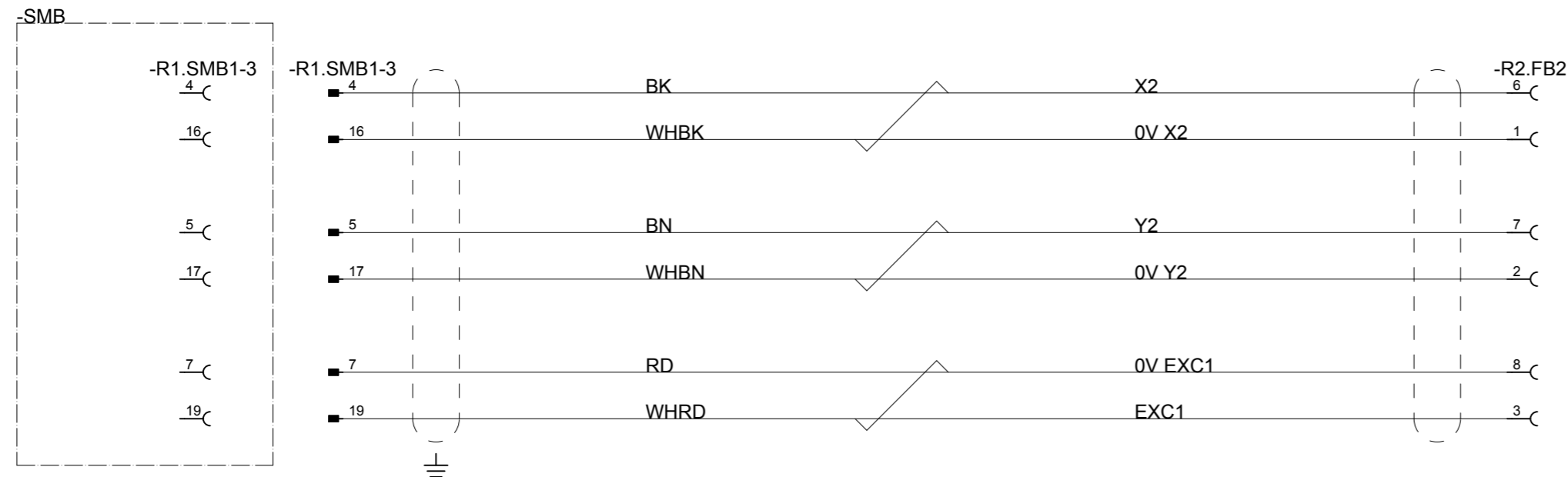
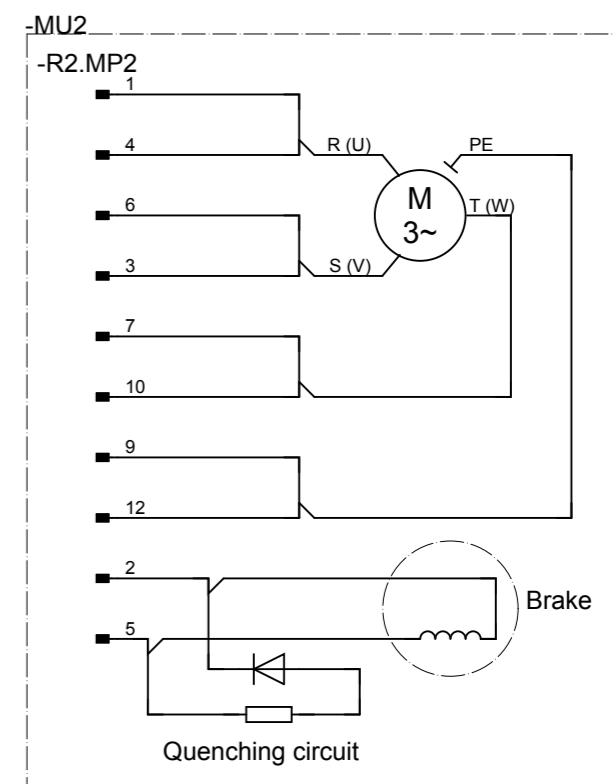
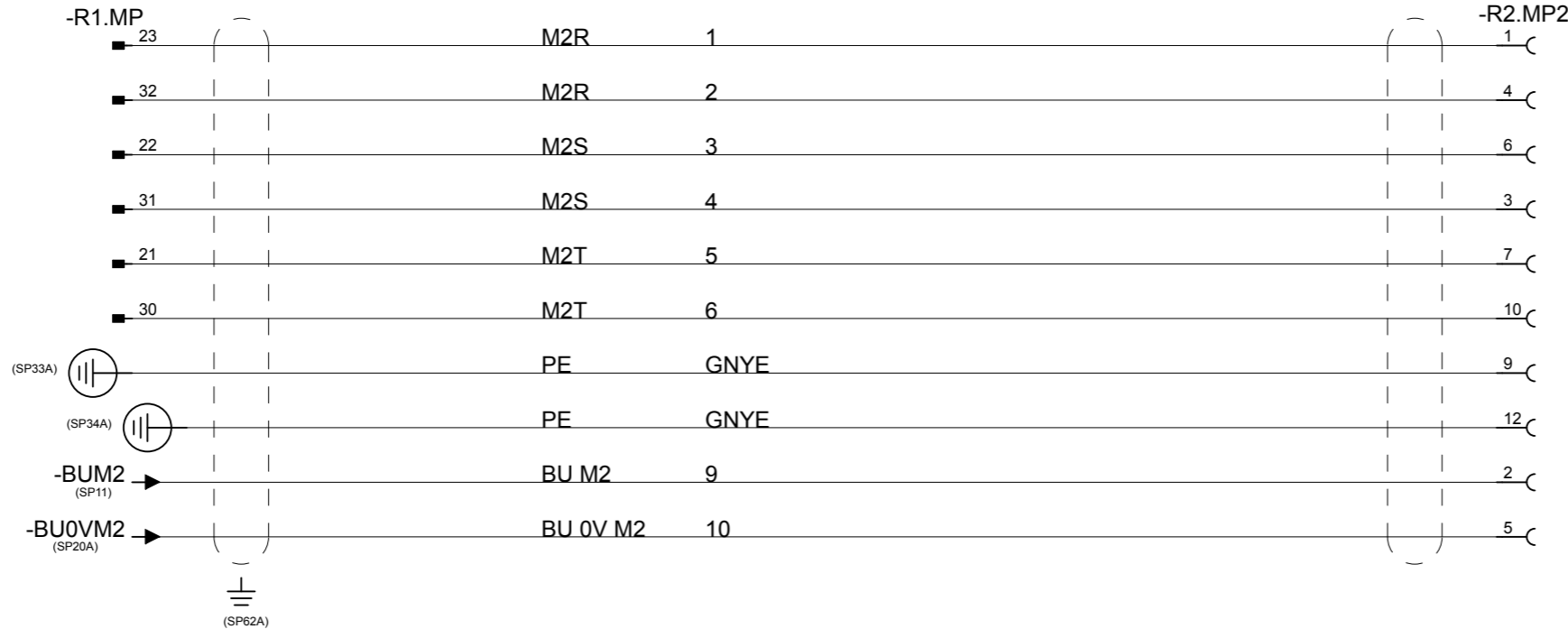
Status: 2017-08-24
APPROVED

Plant: = IRB6700
Location: + Axis1
Sublocation: +

Document no.
3HAC043446-005

Rev. Ind
03
Page 30
Next +Axis2/4
Total 13

We reserve all rights in this document and in the information contained therein. Reproduction, use or disclosure to third parties without express authority is strictly forbidden. © Copyright 2003 ABB



Latest revision: ECO 92573, WI 155563
 Page 3 (1-2): Item number added for IRB6790.
 Page 4 (5-8): View over IRB6790 added.
 Drawing frame: Title was "IRB6700".

Prepared by, date: Erik Mesaros Approved by, date: Jan-Erik Nahls



Lab/Office:
RMRO SE
PRIM

IRB 6700/6790
Axis 2

Status: 2017-08-24

APPROVED

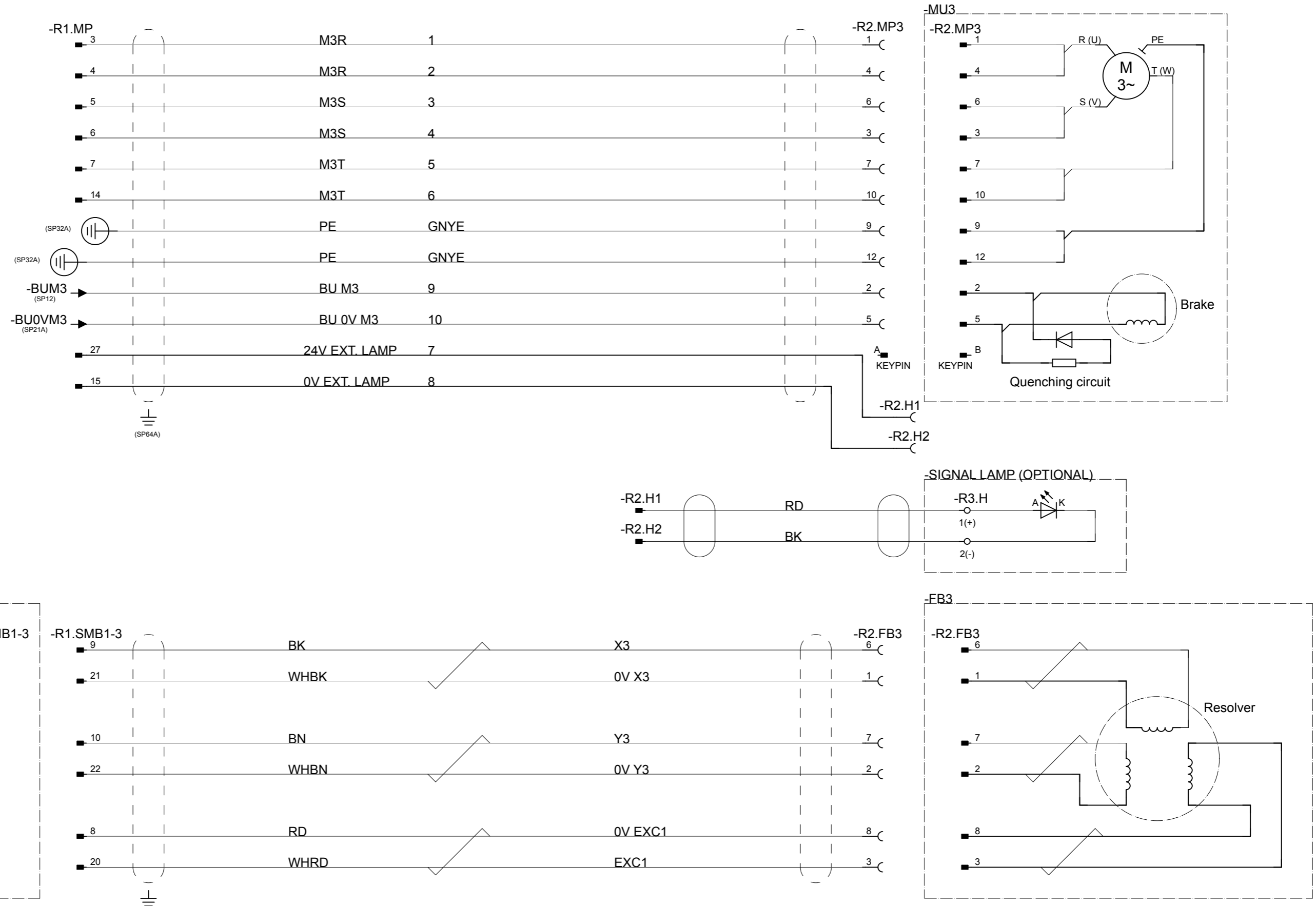
Document no.
3HAC043446-005

Plant: = IRB6700
 Location: + Axis2
 Sublocation: +

Rev. Ind
03

Page 40
 Next +Axis3/5
 Total 13

We reserve all rights in this document and in the information contained therein. Reproduction, use or disclosure to third parties without express authority is strictly forbidden. © Copyright 2003 ABB



Latest revision: ECO 92573, WI 155563
 Page 3 (1-2): Item number added for IRB6790.
 Page 4 (5-8): View over IRB6790 added.
 Drawing frame: Title was "IRB6700".

Prepared by, date: Erik Mesaros
 Approved by, date: Jan-Erik Nahls



Lab/Office:
 RMRO SE
 PRIM

IRB 6700/6790

Axis 3, incl. optional signal lamp

Status: 2017-08-24

APPROVED

Document no.
 3HAC043446-005

Plant: = IRB6700

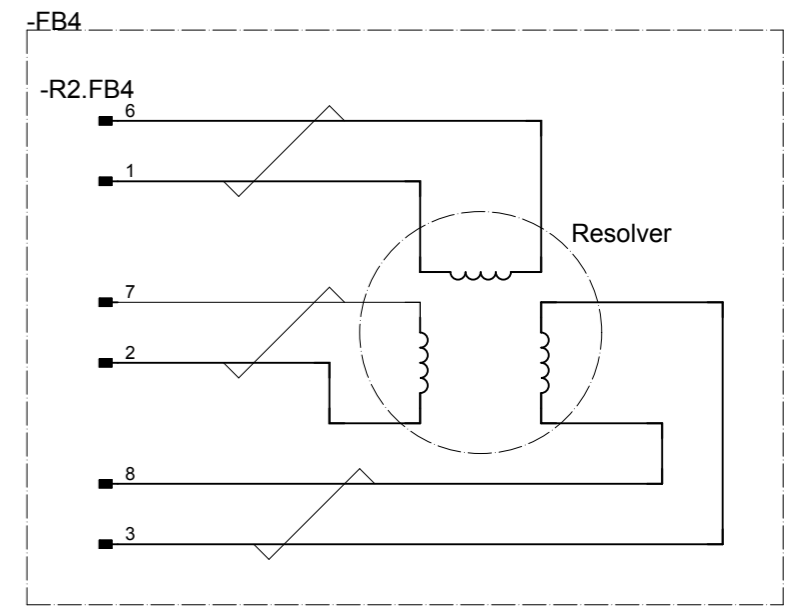
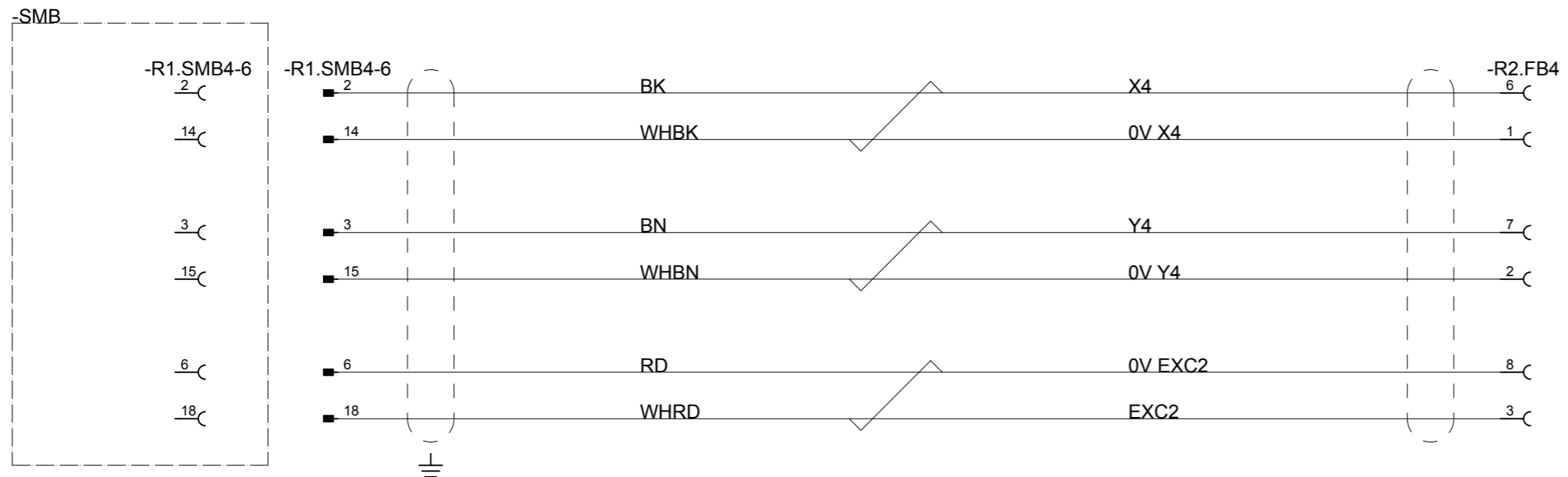
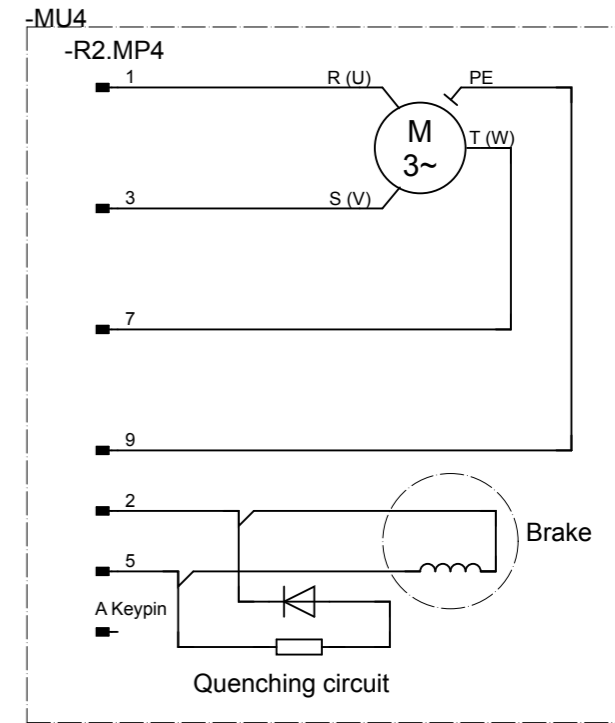
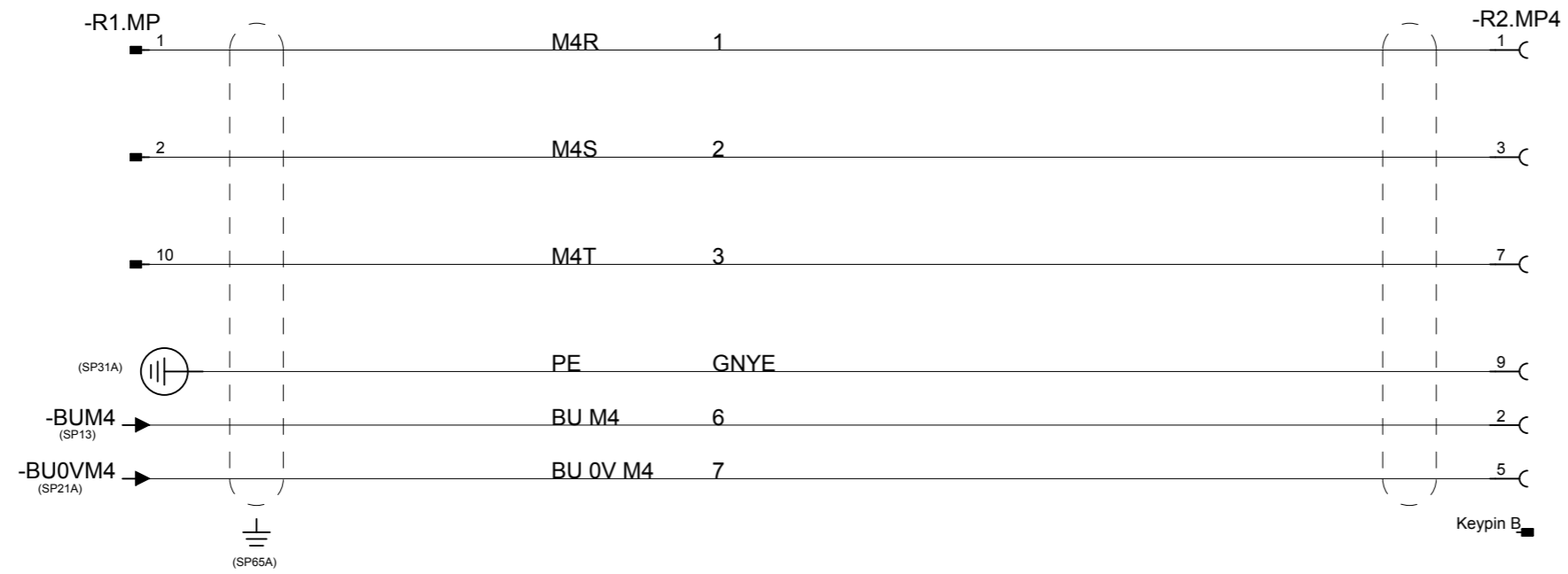
Location: + Axis3

Sublocation: +

Rev. Ind
 03

Page 50
 Next +Axis4/6
 Total 13

We reserve all rights in this document and in the information contained therein. Reproduction, use or disclosure to third parties without express authority is strictly forbidden. © Copyright 2003 ABB



Latest revision: ECO 92573, WI 155563
 Page 3 (1-2): Item number added for IRB6790.
 Page 4 (5-8): View over IRB6790 added.
 Drawing frame: Title was "IRB6700".

Prepared by, date: Erik Mesaros Approved by, date: Jan-Erik Nahls



Lab/Office:
 RMRO SE
 PRIM

IRB 6700/6790
 Axis 4

Status: 2017-08-24

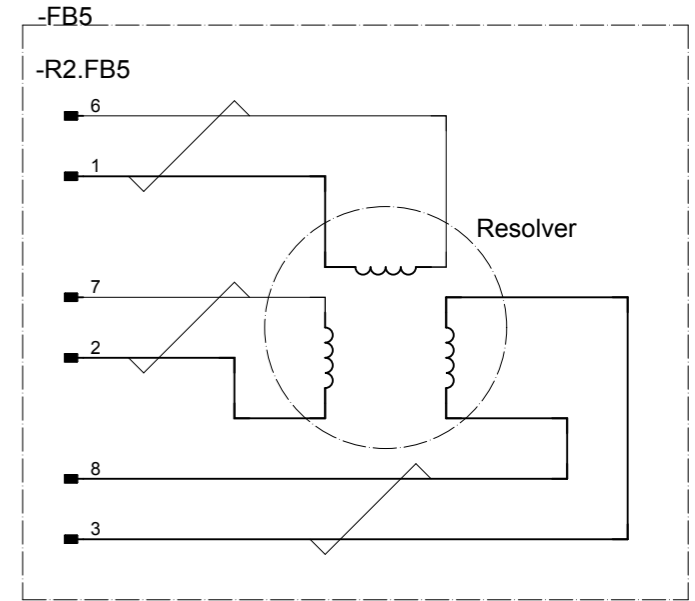
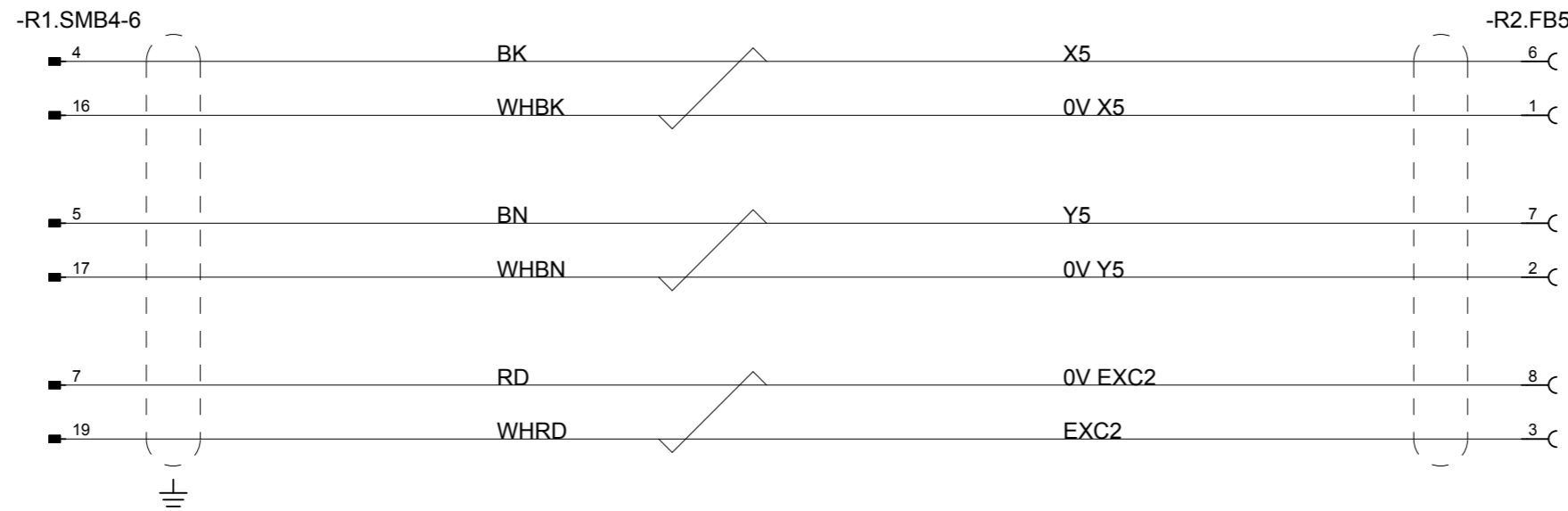
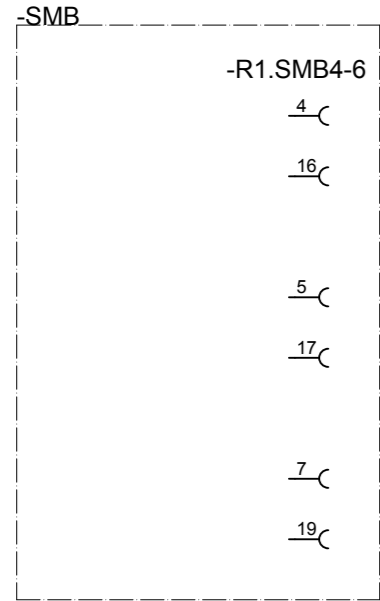
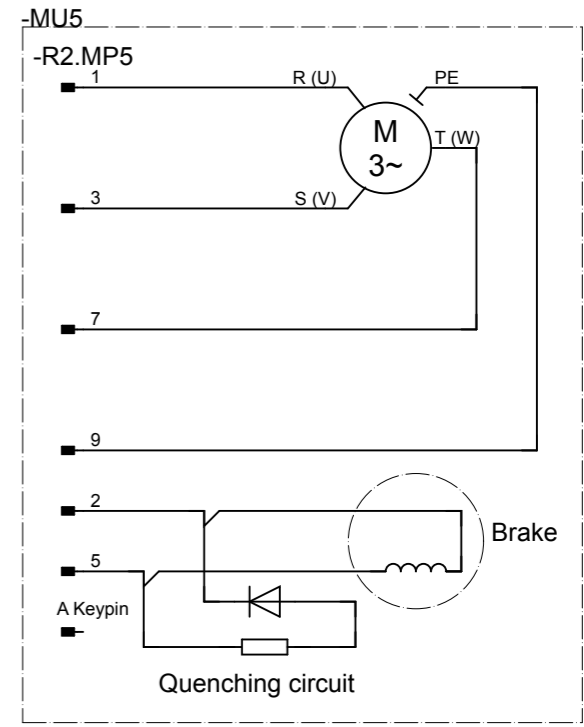
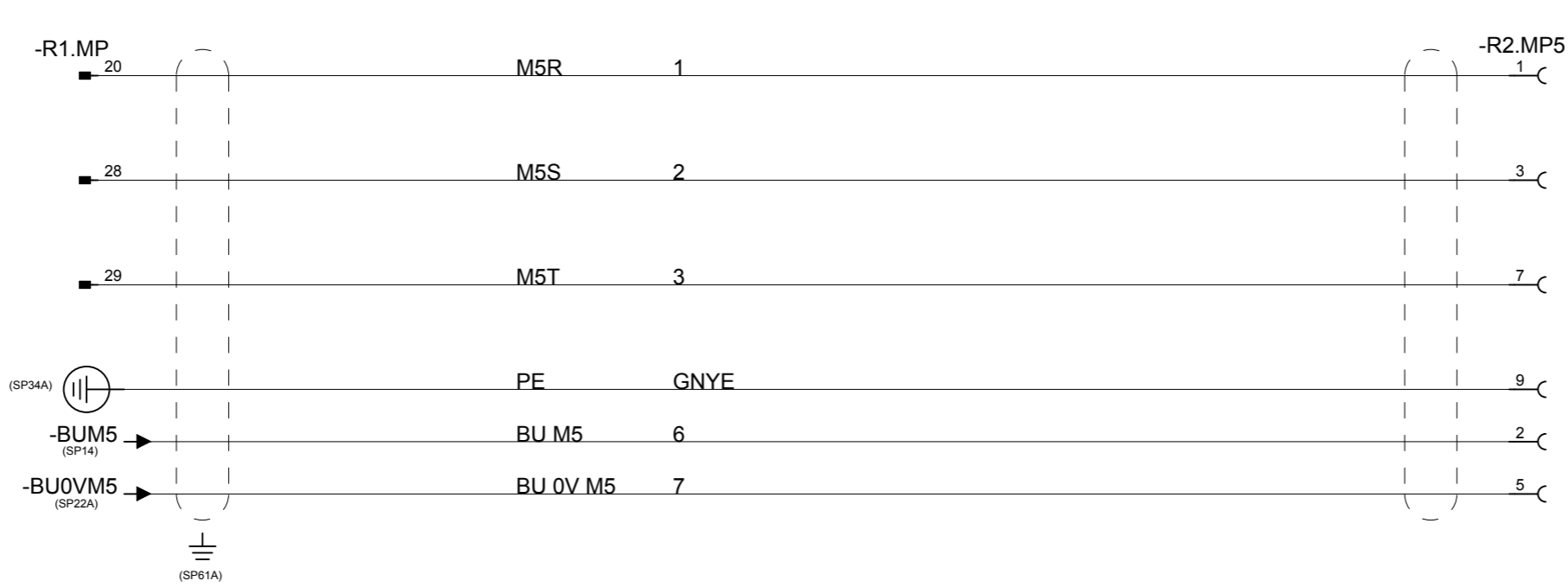
APPROVED

Document no.
 3HAC043446-005

Plant: = IRB6700
 Location: + Axis4
 Sublocation: +

Rev. Ind
 03
 Page 60
 Next +Axis 5/
 Total 13

We reserve all rights in this document and in the information contained therein. Reproduction, use or disclosure to third parties without express authority is strictly forbidden. © Copyright 2003 ABB



Latest revision: ECO 92573, WI 155563
 Page 3 (1-2): Item number added for IRB6790.
 Page 4 (5-8): View over IRB6790 added.
 Drawing frame: Title was "IRB6700".



Lab/Office:
 RMRO SE
 PRIM

IRB 6700/6790

Axis 5

Status: 2017-08-24

APPROVED

Document no.

3HAC043446-005

Plant: = IRB6700

Location: + Axis 5

Sublocation: +

Rev. Ind

03

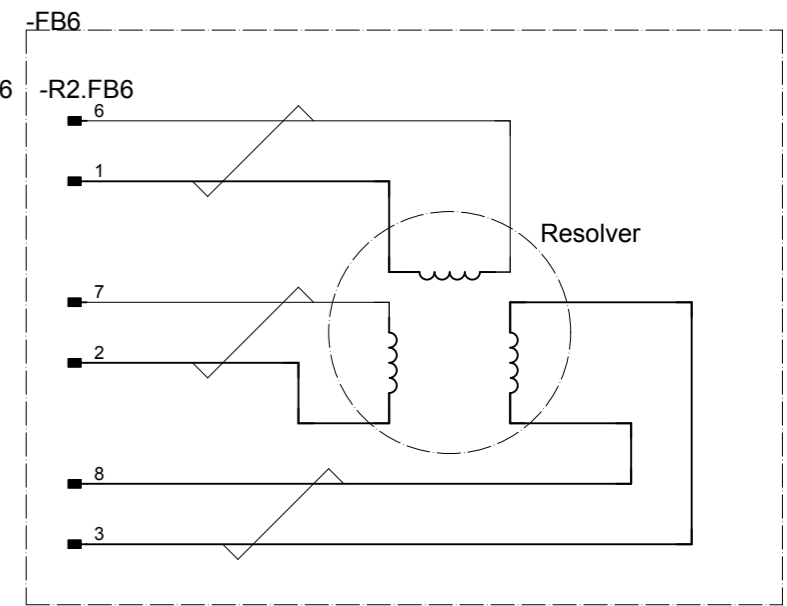
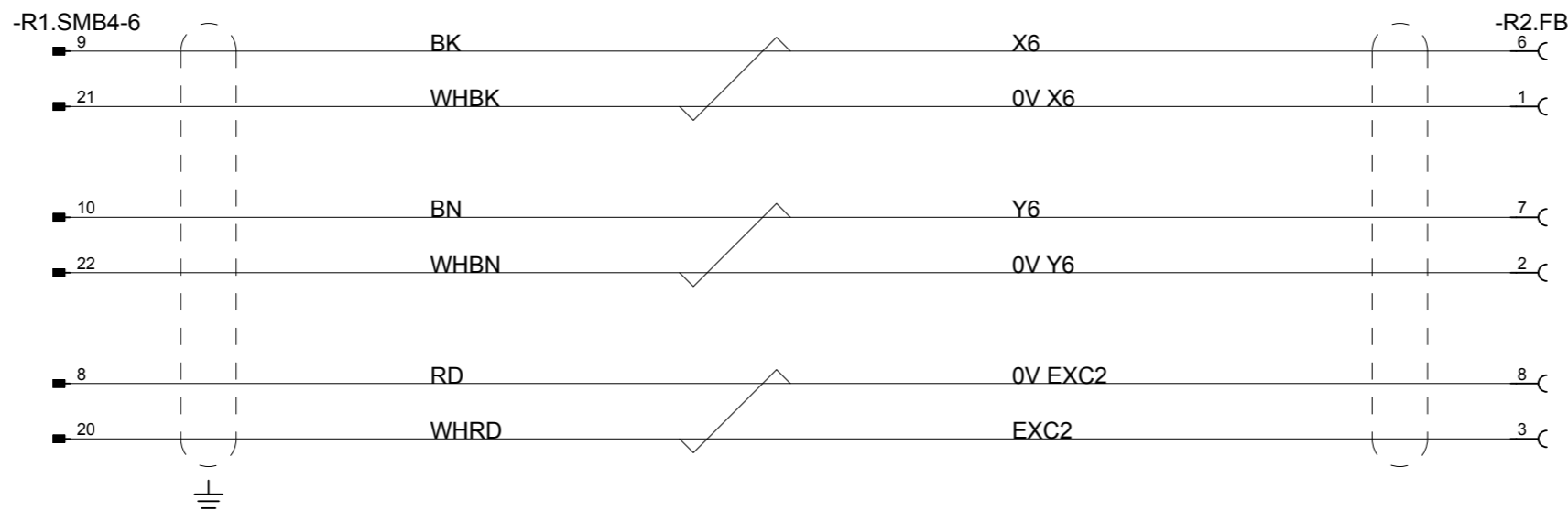
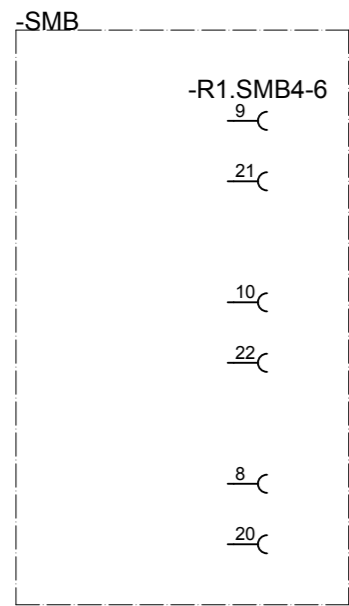
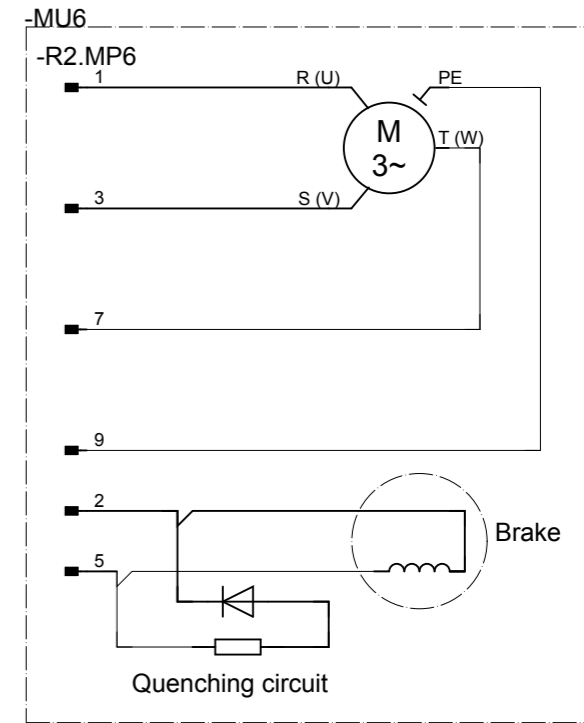
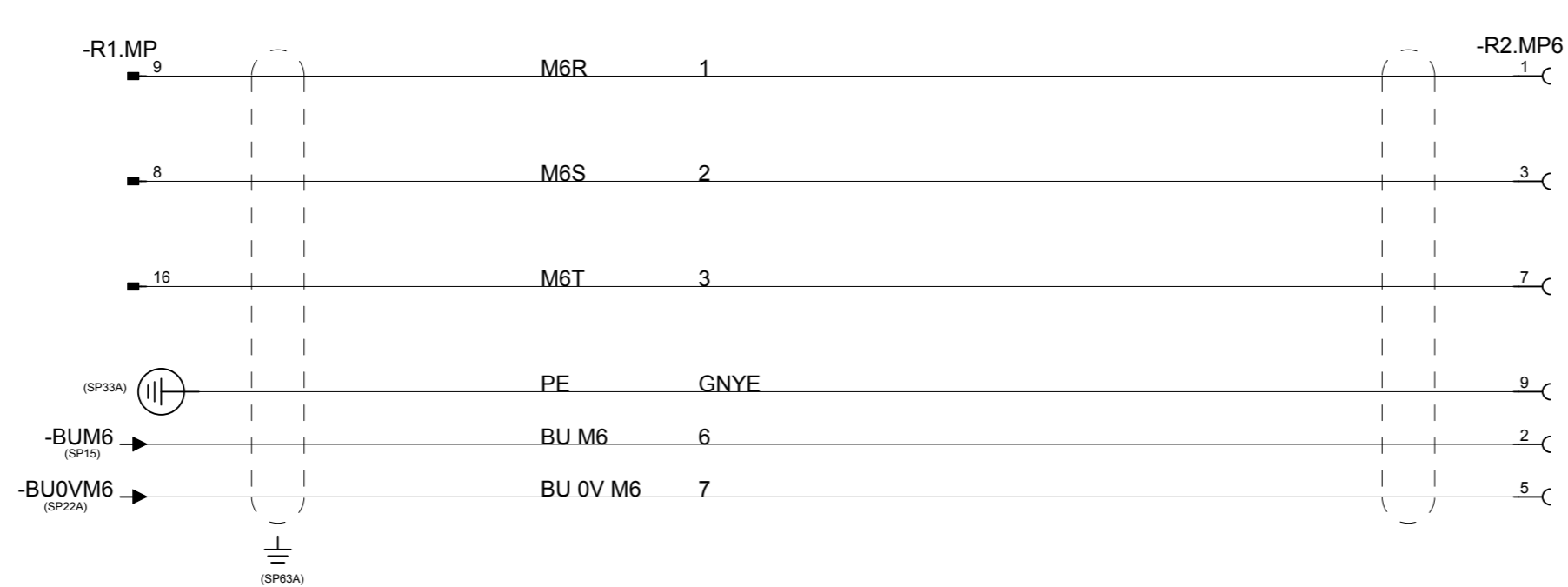
Page 70

Next +Axis6/8

Total 13

Prepared by, date: Erik Mesaros Approved by, date: Jan-Erik Nahls

We reserve all rights in this document and in the information contained therein. Reproduction, use or disclosure to third parties without express authority is strictly forbidden. © Copyright 2003 ABB



Latest revision: ECO 92573, WI 155563
 Page 3 (1-2): Item number added for IRB6790.
 Page 4 (5-8): View over IRB6790 added.
 Drawing frame: Title was "IRB6700".



Lab/Office:
 RMRO SE
 PRIM

IRB 6700/6790

Axis 6

Status: 2017-08-24

APPROVED

Document no.

3HAC043446-005

Plant: = IRB6700

Location: + Axis6

Sublocation: +

Rev. Ind

03

Page 80

Next

Total 13

Prepared by, date: Erik Mesaros Approved by, date: Jan-Erik Nahls